

MACHINE SAFETY

Pressure Switches Code 2817

Conflow is renowned the world over as the leading supplier of specialist components and systems for dust suppression, fire suppression and all aspects of water control in underground coal Mining.

Today Conflow products can be found operating both on the surface and underground in all the major mining industries, from coal to gold, in more than 30 countries around the world. Furthermore, wherever minerals are moved in bulk – such as quarries, power stations and steel works - Conflow products are helping to reduce the negative impact on the local environment.

At Conflow our aim is to provide you with a comprehensive range of services to meet your individual needs.



Description

The **Conflow Code 2817** - FLP Pressure Switch is used to make, or break, an electrical circuit with the presence, or absence of any pre selected pressure value within its operating range.

The principle of the design is a simple spring loaded piston which converts the incoming fluid pressure to a lateral movement. The diameter of the piston and the strength of the spring are selected to give the required piston movement for the desired pressure setting. Thus at a pre-determined hydraulic pressure the piston moves and contacts a microswitch, which is either 'normally open' or 'normally closed'. The compression of the spring can be adjusted to fine tune the pressure setting within its operating range.

Typical Applications

- To switch the rear lights on a tracked vehicle when the hydraulic circuit for reversing is selected. The pressure of this circuit being used to trip the switch and apply the rear lights for a reverse movement warning situation

Features

- 1/2" BSP water connections
- Maximum working pressure up to 210 bar
- Switches electrical circuit when minimum (or maximum) pressure conditions is reached
- FLP Approved - Cert # 03ATEX1537

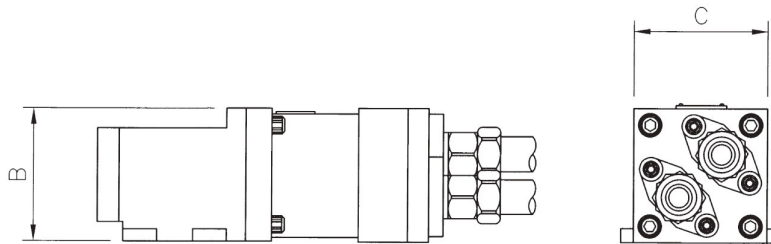
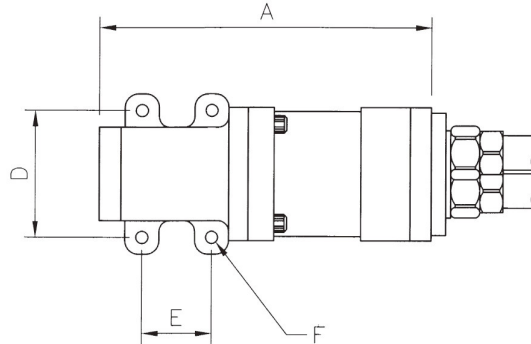
MACHINE SAFETY

Pressure Switches

Code 2817

Specifications

	DIMENSIONS (mm)
A	249
B	100
C	100
D	95
E	53
F	11Ø
WEIGHT	14 Kg



Fluid Connection	1/2" BSP Inlet (to be teed off from system pressure line to be monitored) 1/4" BSP Inlet port (to be left unconnected or fitted with a short open ended hose to waste. NOTE: This is a safety bleed only and must not be connected to the pressure)
Electrical Connection	Hawke Gland Type G470/453/B/T
Maximum Fluid Pressure	Up to 210 Bar (according to pressure setting)
Pressure Switching Range	5 bar to 140 bar (any setting pressure is available in this range, please state when ordering).

ELECTRICAL RATINGS OF MICRO SWITCH			
VCD Ratings		VAC Ratings	
15 Watts Max (resistive only) Max Voltage 250V Max Current 750 mA		15 VA Max (in rush or resistive) Max Voltage 250V Max Current 750 mA	
Volts (DC)	Mac current (mA)	Volts (AC)	Mac current (mA)
0.5 - 11	750	0.5 - 11	500
11 - 30	500	11 - 30	250
30 - 125	80	30 - 125	100
125 - 250	40	125 - 250	50

The information on this data sheet is accurate to the best of Conflow's knowledge, however we reserve the right to alter the product specification at any time. For any specific updated detail, please contact us.